

# flow switch for liquid media with analog temperature output



## flow-captor 422x.52/.53M

The **flow-captor** type 422x.52/.53M is a family of compact, precise metering flow switches with analog display in a rugged stainless steel housing. They operate based on the calorimetric principle. The flow-captor allows to set an exact flow set-point and will display simultaneously the flow rate up to the lowest flow conditions.

- precise switching flow monitor for water or oil based solutions **up to 100 bar**
- high accuracy also under low flow conditions
- separate adjustment for „range“ and „set-point“
- analog display of actual flow rate and display of adjusted
- set-point value
- LED display for output status
- **ISO 9001:2015**



Technical Data	4220.52/.53M	4221.52/.53M
Typ	water-based solutions	oil-based solutions
Medium		
<b>Sensor Data *1</b>		
Measuring range	0-20 cm/s to 0-300 cm/s, cont. adjust	0-30 cm/s to 0-300 cm/s, cont. adjust
Set-point range	approx. 15% - 90% of measuring range setting	
Medium temperature	- 20°C to + 80°C	
Ambient temperature	- 20°C to + 70°C	
Pressure	max. 100 bar (1000 Kpa)	
Response time	2s - 10s, according to range setting	2s - 15s, according to range setting
Linearity deviation	< 5% <sup>1)</sup>	< 5% <sup>2)</sup>
Repeatability	< 2%	
Hysteresis	approx. 10%	
<b>Mechanical Data</b>		
Protection class	IP67	
Material housing	stainless steel AISI 303	
Material of sensor probe	stainless steel AISI 303, AISI 316Ti, Titanium or Hastelloy C4/C22 on request	
Thread	G 1/2" BSP alt. 1/2" 14 - NPT	
Housing dimensions ODxH	OD 66 X H 109/69	
Electrical connection	2 m oilflex cable 6x0.5 mm <sup>2</sup>	
<b>Electrical Data</b>		
Operating voltage	90-250 VAC/DC	
Switching current	max 100mA bei 90 - 250VAC/DC	
Initial operation	approx. 10s after connection of power	
Electrical output	Semiconductor relay	
Flow output	n.c. : .52	n.o.: .53
Switching function display	flow < set-point: <b>LED off</b>	flow > set-point: <b>LED on</b>
Temp. output	- 10°C to +80°C 4-20mA	
Temp. output load	max. 500Ω	

<sup>1)</sup> data relate to water <sup>2)</sup> calibrated with insulation oil type "Shell Diala"

**weber**

Sensors GmbH Strohdreich 32  
Sensors Ltd. 66 Eastbourne Road, Southport  
Sensors LLC. 4462 Bretton Court, Building 1, Suite 7

DE-25377 Kollmar, Germany Tel.: +49 (0)4128 - 591 · Fax: - 593  
Merseyside PR8 4DU, UK Tel.: +44 (1704) - 551684 · Fax: - 551297  
Acworth, Georgia 30101, USA Tel.: +1 (770) 592 - 6630 · Fax: - 592 6640

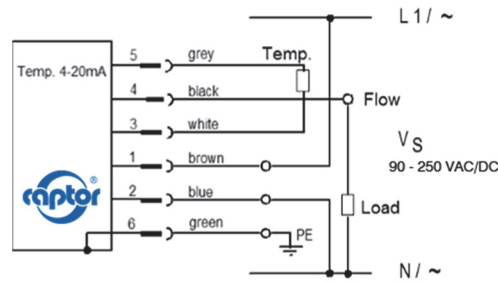
**www.captor.de**  
info@captor.de  
sales@captor.co.uk  
sales@captor.com

flow switch for liquid media  
with analog temperature output



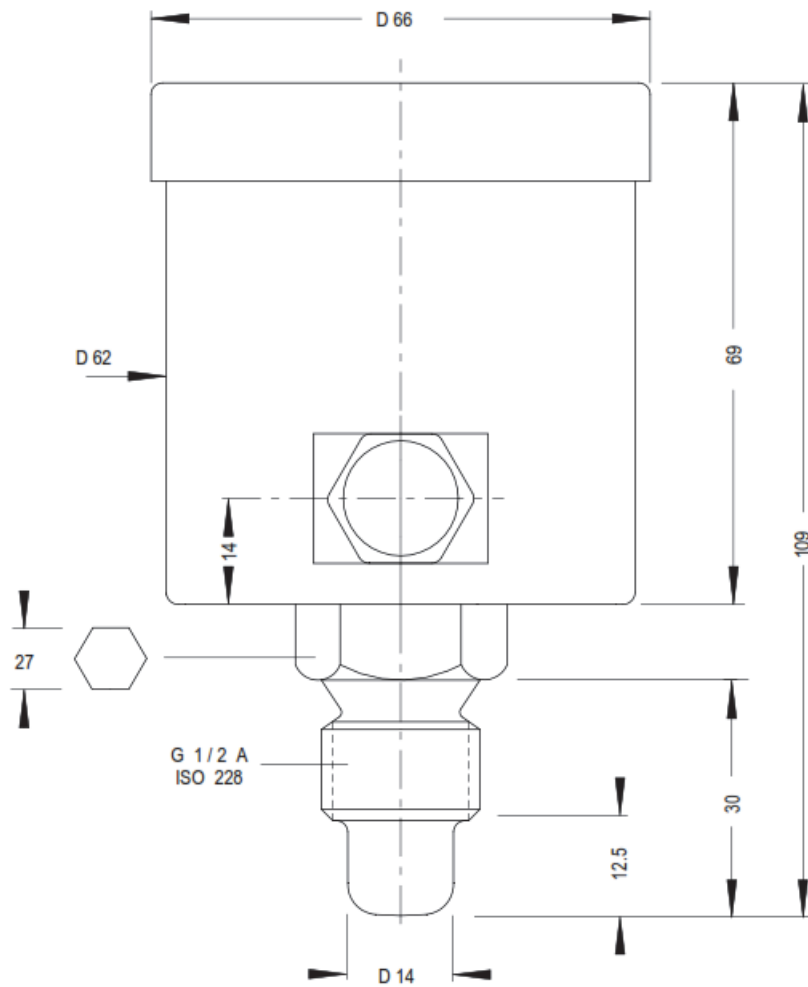
flow-captor 422x.52/.53M

Connection diagram



Dimensions

K703560C



**weber**

Sensors GmbH Strohdeich 32  
Sensors Ltd. 66 Eastbourne Road, Southport  
Sensors LLC. 4462 Bretton Court, Building 1, Suite 7

DE-25377 Kollmar, Germany Tel.: +49 (0)4128 - 591 · Fax: - 593  
Merseyside PR8 4DU, UK Tel.: +44 (1704) - 551684 · Fax: - 551297  
Acworth, Georgia 30101, USA Tel.: +1 (770) 592 - 6630 · Fax: - 592 6640

**www.captor.de**  
info@captor.de  
sales@captor.co.uk  
sales@captor.com