

Flow switch for liquid media



flow-captor 412x.5xM

The flow-captor 412x.5xM is ideally suited for use in automation processes or other industrial applications where liquid media must be controlled. The sensor operates according to the calorimetric (thermal) measuring principle, fully electronic and without any mechanically moving parts. The flow-captor detects the flow velocity of the medium and converts it into an electrical signal.



- precise switching flow monitor with **solid state relay output (SSR)**
- high switching accuracy even with slower flows
- separate adjustment of set-point and range
- display of flow and the adjusted switching point via LED chain
- LED for output status
- robust stainless steel design (special potting)
- **ISO 9001:2015**

Technical data

Type	4120.5xM	4121.5xM
Medium	water-based	oil-based

Sensor data *1

Measuring range	0 - 20 cm/s bis 0 - 300 cm/s, continuously adjustable ¹⁾	0 - 30 cm/s bis 0 - 300 cm/s, continuously adjustable ²⁾
Set-point range	approx. 15 % - 90 % of range setting	
Medium temperature	-20 °C bis +80 °C	
Ambient temperature	-20 °C bis +70 °C	
Pressure	max. 100 bar (1000 Kpa)	
Response time	2 sec. - 10 sec. depends on range setting	2 sec. - 15 sec. depends on range setting
Linearity deviation	< 5 % ¹⁾	< 5 % ²⁾
Repeatability	< 2 %	
Hysteresis	approx. 10 %	
Temperature drift	< 3 % per kelvin	

Mechanical data

Protection class	IP67
Material housing	stainless steel AISI 303 or equivalent
Material of sensor probe	stainless steel AISI 303 or equivalent (other material on request)
Thread	G 1/2" BSP alt. 1/2" - 14 NPT
Housing dimensions	see drawing next page
Electrical connection	2 m oilflex cable 4 x 0.75 mm ²

Electrical data

Operating voltage	90 - 250 VAC/DC
Switching current	max. 100 mA at 90 - 250 VAC/DC
Initial operation	approx. 10 sec. after connection power
Electrical output	solid state relay (SSR)

	412x.52M	412x.53M
Flow < set - point	LED on	LED off

¹⁾ data relate to water ²⁾ calibrated with insulation oil type "Shell Diala Shell Diala S4 ZX-1"

weber

Sensors GmbH Strohdeich 32
 Sensors Ltd. 66 Eastbourne Road, Southport
 Sensors LLC. 4462 Bretton Court, Building 1, Suite 7

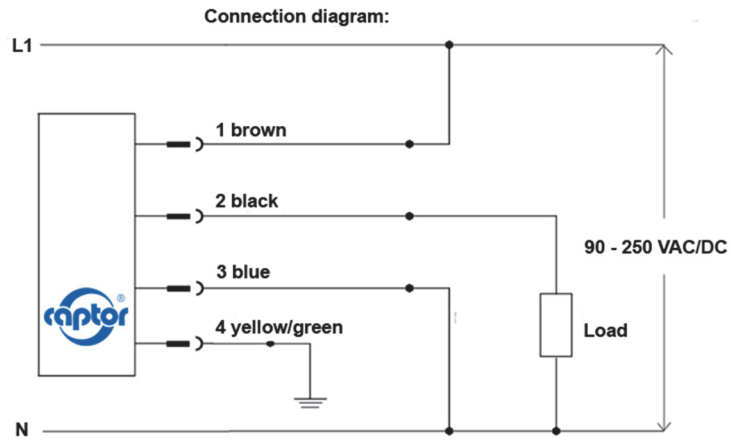
DE-25377 Kollmar, Germany Tel.: +49 (0)4128 - 591 · Fax: - 593
 Merseyside PR8 4DU, UK Tel.: +44 (1704) - 551684 · Fax: - 551297
 Acworth, Georgia 30101, USA Tel.: +1 (770) 592 - 6630 · Fax: - 592 6640

www.captor.de
 info@captor.de
 sales@captor.co.uk
 sales@captor.com

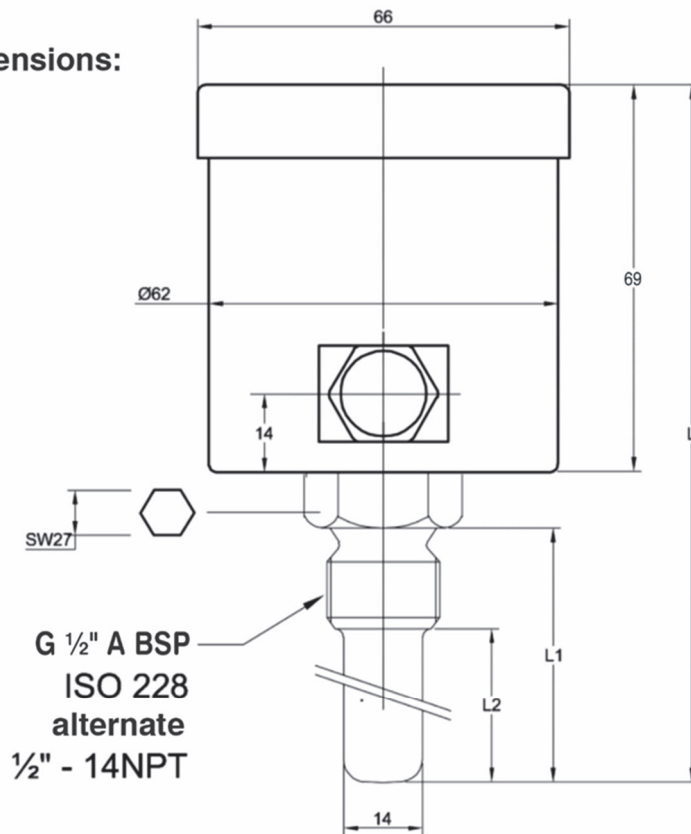
Flow switch for liquid media



flow-captor 412x.5xM



Dimensions:



Type	L	L1	L2
Standard	109	30	12,5
S110/45	124	45	27,5
S110/67	146	67	49,5
S110/90	169	90	73,0

weber

Sensors GmbH Strohdeich 32
Sensors Ltd. 66 Eastbourne Road, Southport
Sensors LLC. 4462 Bretton Court, Building 1, Suite 7

DE-25377 Kollmar, Germany Tel.: +49 (0)4128 - 591 · Fax: - 593
Merseyside PR8 4DU, UK Tel.: +44 (1704) - 551684 · Fax: - 551297
Acworth, Georgia 30101, USA Tel.: +1 (770) 592 - 6630 · Fax: - 592 6640

www.captor.de
info@captor.de
sales@captor.co.uk
sales@captor.com