

Flow switch for liquid media



flow-captor 412x.5xM S141

The flow-captor 412x.5xM S141 is ideally suited for use in automation processes or other industrial applications where liquid media must be controlled.

The sensor operates according to the calorimetric measuring principle, fully electronic and without any mechanically moving parts. The flow-captor detects the flow velocity of the medium and converts it into an electrical signal.



- precise switching flow monitor with relay output
- high switching accuracy even with slower flows
- separate adjustment of set-point and range
- display of flow and the adjusted switching point via LED chain
- LED for output status
- robust dustproof and waterproof stainless steel design, IP67, special potting
- **ISO 9001:2015**

Technical data		
Type	4120.5xM S141	4121.5xM S141
Medium	water-based	oil-based
Sensor data *1		
Measuring range	0 - 20 cm/s to 0 - 300 cm/s, cont. adjust	0 - 30 cm/s to 0 - 300 cm/s, cont. adjust
Set-point range	approx. 15 % - 90 % of measuring range setting	
Medium temperature	- 20 °C to + 80 °C	
Ambient temperature	- 20 °C to + 70 °C	
Pressure	max. 100 bar (1000 Kpa)	
Response time	2 sec. - 10 sec., according to range setting	2 sec. - 15 sec., according to range setting
Linearity deviation	5 % ^{1),2)} most favourable straight line related to the final value	
Repeatability	< 2 %	
Hysteresis	approx. 10 %	
Temperature drift	< 3 % / K	
Mechanical data		
Protection class	IP67	
Material housing	stainless steel AISI 303	
Material of sensor probe	stainless steel AISI 303 , (other material on request)	
Thread	G 1/2" BSP alt. 1/2" -14 NPT	
Housing dimensions ODxH	see drawing next page	
Electrical connection	Binder male socket, 4-pin (order cable type 4922/2m separately)	
Electrical data		
Operating voltage	90 - 250 VAC/DC	
Power consumption	-	
Switching current	≤ 100 mA	
Initial operation	approx. 10 sec. after connection of power	
Electrical output	Solid-state relay (SSR)	
Flow < set-point	.52	.53
- LED, green	off	on
- Output relay	activated	not activated

¹⁾ data relate to water ²⁾ bezogen auf "Shell Diala S4 ZX-I"

weber

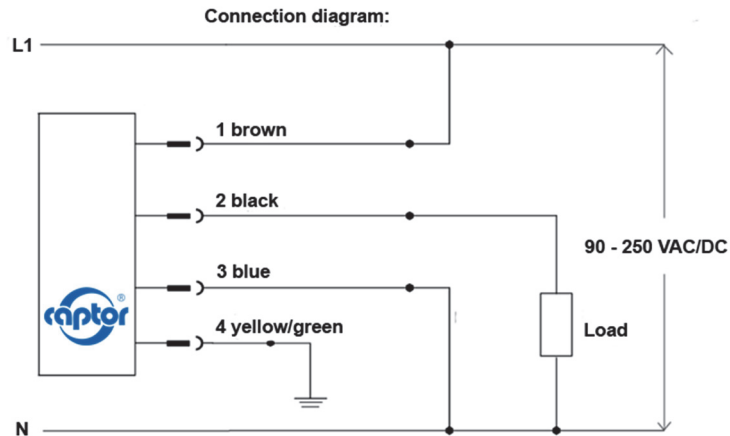
Sensors GmbH Strohdeich 32
 Sensors Ltd. 66 Eastbourne Road, Southport
 Sensors LLC. 4462 Bretton Court, Building 1, Suite 7

DE-25377 Kollmar
 Merseyside PR8 4DU, UK
 Acworth, Georgia 30101, USA

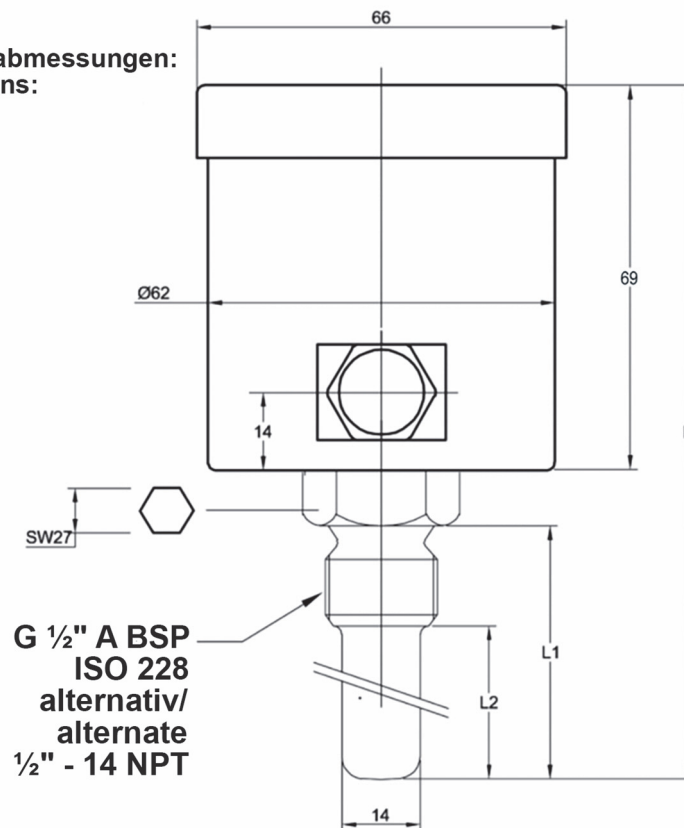
Tel.: +49 (0)4128 - 591 · Fax: - 593
 Tel.: +44 (1704) - 551684 · Fax: - 551297
 Tel.: +1 (770) 592 - 6630 · Fax: - 592 6640

www.captor.de
 info@captor.de
 sales@captor.co.uk
 sales@captor.com

flow-captor 412x.5xM S141



Gehäuseabmessungen:
Dimensions:



Typ	L	L1	L2
Standard	109	30	12,5
S110/45	124	45	27,5
S110/67	146	67	49,5
S110/90	169	90	73,0