

LMK 458H



Probe with HART®-communication for Marine and Offshore

Ceramic Sensor

accuracy according to IEC 60770:
0.1 % FSO

Nominal pressure

from 0 ... 60 cmH₂O up to 0 ... 200 mH₂O

Output signals

2-wire: 4 ... 20 mA
others on request

Special characteristics

- ▶ shipping approvals acc. to:
Lloyd's Register (LR),
Det Norske Veritas (DNV),
China Classification Society (CCS),
American Bureau of Shipping (ABS)
- ▶ diameter 39.5 mm
- ▶ HART® communication
(setting of offset, span and damping)
- ▶ high overpressure resistance
- ▶ high long-term stability

Optional versions

- ▶ IS-version
Ex ia = intrinsically safe for gas and dust
- ▶ diaphragm Al₂O₃ 99.9 %
- ▶ different housing materials
(stainless steel, CuNiFe)
- ▶ screw-in and flange version
- ▶ accessories e. g. assembling and
probe flange, mounting clamp

The hydrostatic probe LMK 458H has been developed for measuring level in service and storage tanks and is certificated for shipbuilding and offshore applications.

A permissible operating temperature up to 85°C and the possibility to use the device in intrinsic safe areas enable to measure the pressure of various fluids under extreme conditions. The basis for the LMK 458H is a self-developed capacitive ceramic sensor element, which offers a high overload resistance and medium compatibility.

Preferred areas of use are



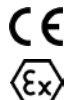
Water

drinking water abstraction
desalinization plant



Shipbuilding / Offshore

ballast tanks
draught monitoring
level measurement in ballast and
storage tanks



LMK 458H

Probe for Marine and Offshore

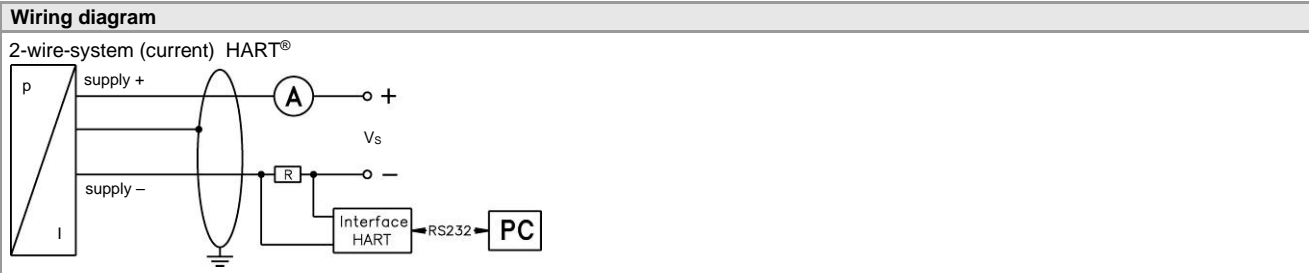
Technical Data

Pressure ranges									
Nominal pressure gauge ¹	[bar]	0.06	0.16	0.4	1	2	5	10	20
Level	[mH ₂ O]	0.6	1.6	4	10	20	50	100	200
Overpressure	[bar]	2	4	6	8	15	25	35	45
Max. ambient pressure (housing): 40 bar									
¹ on customer request we adjust the devices by software on the required pressure ranges, within the turn-down possibility (starting at 0.02 bar)									
Output signal / Supply									
Standard	2-wire: 4 ... 20 mA / V _S = 12 ... 36 V _{DC}		with HART [®] communication				V _{S rated} = 24 V _{DC}		
Option IS-version	2-wire: 4 ... 20 mA / V _S = 14 ... 28 V _{DC}		with HART [®] communication				V _{S rated} = 24 V _{DC}		
Performance									
Accuracy ²	p _N ≥ 160 mbar	TD ≤ 1:5		≤ ± 0.2 % FSO				TD _{max} = 1:10	
	p _N < 160 mbar	TD > 1:5		≤ ± [0.2 + 0.03 x TD] % FSO				TD _{max} = 1:3	
		TD ≤ 1:5		≤ ± 0.1 % FSO				TD _{max} = 1:10	
p _N ≥ 1 bar	TD > 1:5		≤ ± [0.1 + 0.02 x TD] % FSO				TD _{max} = 1:10		
	R _{max} = [(V _S - V _{S min}) / 0.02 A] Ω		load at HART [®] -communication: R _{min} = 250 Ω						
Permissible load	load at HART [®] -communication: R _{min} = 250 Ω								
Long term stability	≤ ± (0.1 x turn-down) FSO / year at reference conditions								
Influence effects	supply: 0.05 % FSO / 10 V		permissible load: 0.05 % FSO / kΩ						
Turn-on time	850 msec								
Mean response time	140 msec without consideration of electronic damping						mean measuring rate 7/sec		
Max. response time	380 msec								
Adjustability	configuration of following parameters possible (interface / software necessary ³): electronic damping: 0 ... 100 sec offset: 0 ... 80 % FSO turn down of span: max. 1:10								
² accuracy according to IEC 60770 – limit point adjustment (non-linearity, hysteresis, repeatability)									
³ software, interface, and cable have to be ordered separately (software appropriate for Windows [®] 95, 98, 2000, NT Version 4.0 or higher, and XP)									
Thermal effects (offset and span) / Permissible temperatures									
Tolerance band	≤ ± 1 % FSO								
in compensated range	-20 ... 80 °C								
Permissible temperatures	medium / electronics / environment / storage: -25 ... 85 °C								
Electrical protection ⁴									
Short-circuit protection	permanent								
Reverse polarity protection	no damage, but also no function								
Electromagnetic compatibility	emission and immunity according to - EN 61326 - DNV (Det Norske Veritas)								
⁴ additional external overvoltage protection unit in terminal box KL 1 or KL 2 with atmospheric pressure reference available									
Mechanical stability									
Vibration	4 g (according to DNV: class B, curve 2 / basis: DIN EN 60068-2-6)								
Electrical connection									
Cable with sheath material ⁵	TPE-U blue Ø 7.4 mm								
Bending radius	static installation: 10-fold cable diameter				dynamic application: 20-fold cable diameter				
⁵ shielded cable with integrated ventilation tube for atmospheric pressure reference (for nominal pressure ranges absolute the ventilation tube is closed)									
Materials (media wetted)									
Housing	standard: stainless steel 1.4404 (316L)				option: CuNi10Fe1Mn (resistant against sea water)				
Seals	standard: FKM				options: EPDM, FFKM (min. permissible temperature from -15 °C) others on request				
Diaphragm	standard: ceramics Al ₂ O ₃ 96 %				option: ceramics Al ₂ O ₃ 99.9 %				
Protection cap	POM-C								
Cable sheath	TPE-U (flame-resistant, halogen free, increased resistance against oil and gasoline, resistant against salt, sea water, heavy oil)								
Miscellaneous									
Option cable protection for probes in stainless steel	prepared for mounting with stainless steel pipe								
Ingress protection	IP 68								
Current consumption	max. 21 mA								
Weight	min. 650 g (without cable)								
CE-conformity	EMC Directive: 2014/30/EU								
ATEX Directive	2014/34/EU								
Category of the environment									
Lloyd's Register (LR)	EMV1, EMV2, EMV3, EMV4				number of certificate: 13/20056				
Det Norske Veritas (DNV)	temperature: D	vibration: B	humidity: B	enclosure: D	number of certificate: TAA00001GM				
electromagnetic compatibility: B									
Explosion protection									
Approval DX15A-LMK 458H	IBExU 10 ATEX 1186 X zone 0 ⁶ : II 1G Ex ia IIB T4 Ga zone 20: II 1D Ex ia IIIC T135 °C Da								
Safety technical maximum values	U _i = 28 V, I _i = 93 mA, P _i = 660 mW, C _i = 94,6 nF; L _i = 0 µH; the supply connections have an inner capacity of max. 110 nF opposite the enclosure								
Permissible temperatures for environment	in zone 0: -20 ... 60 °C with p _{atm} 0.8 bar up to 1.1 bar zone 1 and higher: -25 ... 70 °C								
Connecting cables (by factory)	cable capacity:		signal line/shield as well as signal line/signal line: 160 pF/m						
	cable inductance:		signal line/shield as well as signal line/signal line: 1 µH/m						
⁶ for optional stainless steel pipe the following designation is valid: "II 1G Ex ia IIC T4" (zone 0)									

LMK 458H

Probe for Marine and Offshore

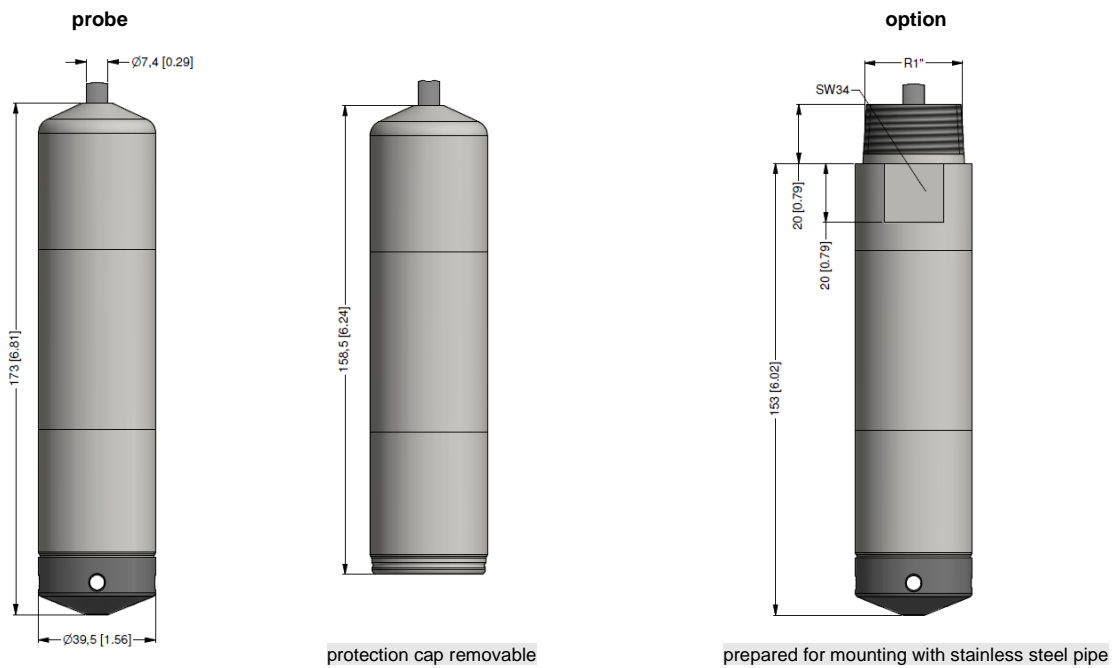
Technical Data



Pin configuration

Electrical connection	cable colours (IEC 60757)
Supply V _s +	WH (white)
Supply V _s -	BN (brown)
Shield	GNYE (green-yellow)

Dimensions for housing in stainless steel and CuNiFe (mm / in)



protection cap removable

prepared for mounting with stainless steel pipe

⇒ transmitter flange is not part of supply and has to be ordered separately

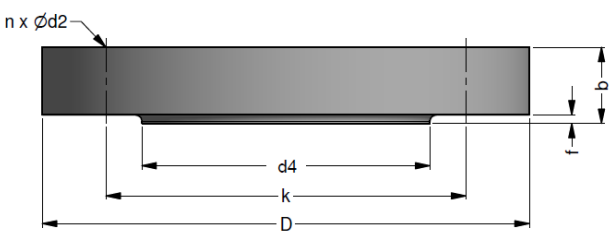
HART® is a registered trade mark of HART Communication Foundation; Windows® is a registered trade mark of Microsoft Corporation

LMK 458H

Probe for Marine and Offshore

Accessories

Transmitter flange for flange version

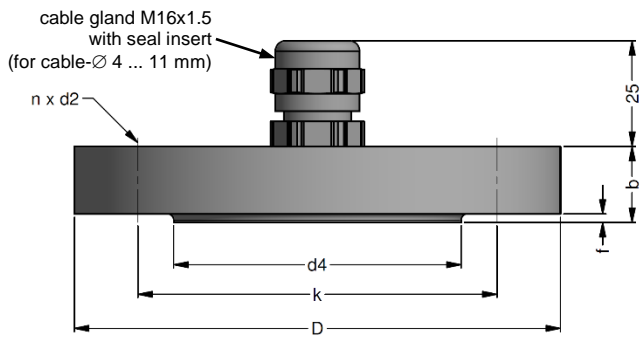


dimensions in mm			
size	DN25 / PN40	DN50 / PN40	DN80 / PN16
b	18	20	20
D	115	165	200
d2	14	18	18
d4	68	102	138
f	2	3	3
k	85	125	160
n	4	4	8

Technical data

Suitable for	LMK 382, LMK 382H, LMK 458, LMK 458H		
Flange material	stainless steel 1.4404 (316L)		
Hole pattern	according to DIN 2507		
Ordering type	Ordering code	Weight	
Transmitter flange DN25 / PN40	ZSF2540	1.2 kg	
Transmitter flange DN50 / PN40	ZSF5040	2.6 kg	
Transmitter flange DN80 / PN16	ZSF8016	4.1 kg	

Mounting flange with cable gland



dimensions in mm			
size	DN25 / PN40	DN50 / PN40	DN80 / PN16
b	18	20	20
D	115	165	200
d2	14	18	18
d4	68	102	138
f	2	3	3
k	85	125	160
n	4	4	8

Technical data

Suitable for	all probes		
Flange material	stainless steel 1.4404 (316L)		
Material of cable gland	standard: brass, nickel plated on request: stainless steel 1.4305 (303); plastic		
Seal insert	material: TPE (ingress protection IP 68)		
Hole pattern	according to DIN 2507		
Ordering type	Ordering code	Weight	
DN25 / PN40 with cable gland brass, nickel plated	ZMF2540	1.4 kg	
DN50 / PN40 with cable gland brass, nickel plated	ZMF5040	3.2 kg	
DN80 / PN16 with cable gland brass, nickel plated	ZMF8016	4.8 kg	

© 2022 BD|SENSORS GmbH – The specifications given in this document represent the state of engineering at the time of publishing. We reserve the right to make modifications to the specifications and materials.

LMK458H_E_140922

