



## x|act i

### Precision Pressure Transmitter for Food Industry, Pharmacy and Biotechnology with SIL2 (optionally)

Stainless Steel Sensor

accuracy according to IEC 60770:  
0.1 % FSO

#### Nominal pressure

from 0 ... 400 mbar up to 0 ... 40 bar

#### Output signals

2-wire: 4 ... 20 mA  
others on request

#### Special characteristics

- ▶ turn-down 1:10
- ▶ hygienic version
- ▶ flush welded diaphragm
- ▶ several process connections (G1" cone, Clamp, dairy pipe, etc.)
- ▶ integrated display and operating module



#### Optional versions

- ▶ explosion protection intrinsic safety (ia)
- ▶ SIL2 -version according to IEC 61508 / IEC 61511
- ▶ HART®-communication
- ▶ cooling element for media temperatures up to 300 °C

The precise pressure transmitter x|act i has been especially designed for the food industry, pharmacy and biotechnology and measures vacuum, gauge and absolute pressure of gases, steam, and fluids up to 40 bar.

Several process connections e.g. thread or hygienic versions like Varivent®, dairy pipe and Clamp with a flush welded diaphragm are available, which can be combined with a cooling element for media temperatures up to 300 °C. The robust stainless steel globe housing has a high ingress protection IP 67 and all characteristics for a residue-free and antibacterial cleaning.

#### Preferred areas of use are

-  Food industry
-  Pharmacy

#### Material and test certificates

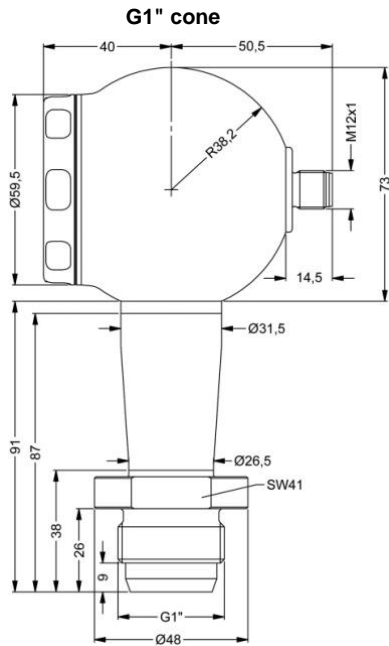
- ▶ Inspection certificate 3.1 according to EN 10204
- ▶ Test report 2.2 according to EN 10204



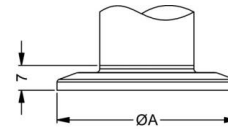
Pressure ranges <sup>1</sup>								
Nominal pressure gauge / abs. <sup>2</sup>	[bar]	0.4	1	2	4	10	20	40
Overpressure	[bar]	2	5	10	20	40	80	105
Burst pressure ≥	[bar]	3	7.5	15	25	50	120	210
<sup>1</sup> higher pressure ranges on request; on demand we adjust the devices within the turn-down-possibility by software on the required pressure ranges								
<sup>2</sup> absolute pressure possible from 1 bar								
Vacuum ranges								
Nominal pressure gauge	[bar]	-0.4 ... 0.4	-1 ... 1	-1 ... 2	-1 ... 4	-1 ... 10		
Overpressure	[bar]	2	5	10	20	40		
Burst pressure	[bar]	3	7.5	15	25	50		
Output signal / Supply								
2-wire: 4 ... 20 mA		standard: analogue signal						V <sub>S</sub> = 12 ... 30 V <sub>DC</sub>
		options: intrinsic safety (ia)						V <sub>S</sub> = 12 ... 28 V <sub>DC</sub>
		intrinsic safety (ia) with HART®-communication						V <sub>S</sub> = 12 ... 28 V <sub>DC</sub>
		SIL2						V <sub>S</sub> = 12 ... 30 V <sub>DC</sub>
		SIL2 / intrinsic safety (ia)						V <sub>S</sub> = 12 ... 28 V <sub>DC</sub>
		SIL2 / intrinsic safety (ia) with HART® communication						V <sub>S</sub> = 12 ... 28 V <sub>DC</sub>
Current consumption		max. 25 mA						
Performance								
Accuracy <sup>3</sup>		≤ ± 0.1 % FSO						
performance after turn-down (TD)		no change of accuracy						
- TD ≤ 1:5		the accuracy is calculated as follows: ≤ 0.1 + 0.015 x (turn-down - 5) % FSO						
- TD > 1:5		e.g. turn-down 9: ≤ 0.1 + 0.015 x (9 - 5) % FSO = 0.16 % FSO						
Permissible load		R <sub>max</sub> = [(V <sub>S</sub> - V <sub>S min</sub> ) / 0.02 A] Ω	load during HART® communication: R <sub>min</sub> = 250 Ω					
Influence effects		supply: 0.05 % FSO / 10 V	permissible load: 0.05 % FSO / kΩ					
Long term stability		≤ ± (0.1 x turn-down) % FSO / year at reference conditions						
Response time		100 msec – without consideration of electronic damping					measuring rate 10/sec	
Adjustability		electronic damping: 0 ... 100 sec	offset: 0 ... 90 % FSO	turn-down of span: max. 1:10				
<sup>3</sup> accuracy according to IEC 60770 – limit point adjustment (non-linearity, hysteresis, repeatability)								
Thermal effects (offset and span)								
Tolerance band <sup>4,5</sup>		≤ ± 0.2 % FSO x turn-down						
in compensated range		-20 ... 85 °C						
<sup>4</sup> an optional cooling element can influence thermal effects for offset and span depending on installation position and filling conditions								
<sup>5</sup> for flange-, Varivent-, DRD-version: tolerance band offset ≤ ± 1.6 % FSO / tolerance band span ≤ ± 0.6 % FSO								
Permissible temperatures								
Filling fluid		silicone oil			food compatible oil			
Medium <sup>6</sup>		-40 ... 125 °C			-10 ... 125 °C			
Medium with cooling element <sup>7</sup>		overpressure: -40 ... 300 °C			overpressure: -10 ... 250 °C			
		vacuum: -40 ... 150 °C			vacuum: -10 ... 150 °C			
Electronics / environment		-20 ... 70 °C						
Storage		-30 ... 80 °C						
<sup>6</sup> for vacuum ranges and absolute pressure the max. medium temperature is 70 °C; max. temperature of the medium for nominal pressure gauge > 0 bar: 150 °C for 60 minutes with a max. environmental temperature of 50 °C (without cooling element).								
<sup>7</sup> max. temperature depends on the used sealing material, type of seal and installation								
Electrical protection								
Short-circuit protection		permanent						
Reverse polarity protection		no damage, but also no function						
Electromagnetic compatibility		emission and immunity according to EN 61326						
Mechanical stability								
Vibration		5 g RMS (25 ... 2000 Hz)	according to DIN EN 60068-2-6					
Shock		100 g / 11 msec	according to DIN EN 60068-2-27					
Filling fluids								
Standard		silicone oil						
Options		food compatible oil according to 21CFR178.3570 (Mobil SHC Cibus 32; Category Code: H1; NSF Registration No.: 141500) Halocarbon and others on request						
Materials								
Pressure port		stainless steel 1.4435 (316 L)						
Housing		stainless steel 1.4301 (304)						
Viewing glass		laminated safety glass						
Seals (media wetted)		none, not included in the scope of delivery						
Diaphragm		standard: stainless steel 1.4435 (316 L) options: Hastelloy® C-276 (2.4819); tantalum (possible from 1 bar on) on request						
Media wetted parts		pressure port, diaphragm, seals (if existing)						

Explosion protection		
Approvals AX12-x act i AX2 - x act i (with SIL2)	IBExU 05 ATEX 1106 X (with SIL2: IBExU 05 ATEX1105 X) zone 0: II 1G Ex ia IIC T4 Ga zone 20: II 1D Ex ia IIIC T85 °C Da	
Safety technical maximum values	$U_i = 28\text{ V}$ , $I_i = 98\text{ mA}$ , $P_i = 680\text{ mW}$ , $C_i = 0\text{ nF}$ , $L_i = 0\text{ }\mu\text{H}$ , the supply connections have an inner capacity of max. 27 nF to the housing	
Permissible temperatures for environment	in zone 0: -20 ... 60 °C with $p_{\text{atm}}$ 0.8 bar up to 1.1 bar in zone 1 or higher: -40 ... 70 °C	
Connecting cables (by factory)	cable capacitance: signal line/shield also signal line/signal line 160 pF/m cable inductance: signal line/shield also signal line/signal line 1 $\mu\text{H}/\text{m}$	
Option		
SIL2-version	according to IEC 61508 / IEC 61511	
Miscellaneous		
EHEDG certificate Type EL Class I	EHEDG conformity is only ensured in combination with an approved seal. This is e.g. for - Clamp (C61, C62, C63): T-ring-seal from Combifit International B.V. - Varivent® (P41): EPDM-O-ring which is FDA-listed - dairy pipe (M73, M75, M76): ASEPTO-STAR k-flex upgrade seal by Kieselmann GmbH	
Display	LC display, visible range 32.5 x 22.5 mm; 5-digit 7-segment main display, digit height 8 mm, range of indication $\pm 9999$ ; 8-digit 14-segment additional display, digit height 5 mm; 52-segment bargraph; accuracy 0.1% $\pm$ 1 digit	
Ingress protection	IP 67	
Installation position	any (standard calibration in a vertical position with the pressure port connection down; differing installation position for $p_N \leq 2\text{ bar}$ have to be specified in the order)	
Surface roughness	pressure port $R_a < 0.8\text{ }\mu\text{m}$ (media wetted parts) diaphragm $R_a < 0.15\text{ }\mu\text{m}$ weld seam $R_a < 0.8\text{ }\mu\text{m}$	
Weight	min. 400 g (depending on mechanical connection)	
Operational life	100 million load cycles	
CE-conformity	EMC Directive: 2014/30/EU	
ATEX Directive	2014/34/EU	
Wiring diagrams		
2-wire-system (current)	2-wire-system (current) HART® - communication	
Pin configuration / electrical connection (dimensions in mm)		
Electrical connections	M12x1 (4-pin), metal	
Supply +	1	
Supply -	3	
Shield	plug housing	
Designs <sup>8</sup>		
side display		45° display
<sup>8</sup> all designs in combination with G1" cone in horizontal rotatable housing as standard; other mech. connections in rotatable housing on request		

**Dimensions (in mm)**

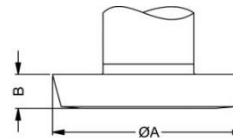


**Clamp (DIN 32676)**



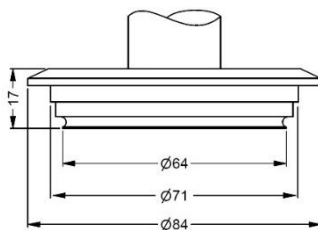
dimensions in mm				
size	3/4"	DN 25	DN 32	DN 50
A	25	50.5	50.5	64
p <sub>N</sub> [bar]	≥ 4 ≤ 8	≥ 0,25 ≤ 16	≤ 16	≤ 16

**dairy pipe<sup>9</sup> (DIN 11851)**



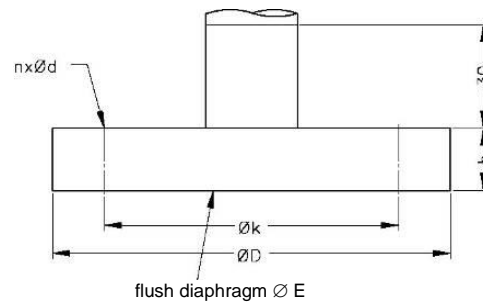
dimensions in mm			
size	DN 25	DN 40	DN 50
A	44	56	68,5
B	10	10	11
p <sub>N</sub> [bar]	≥ 0,25 ≤ 40	≥ 0,25 ≤ 40	≥ 0,25 ≤ 25

**Varivent®**



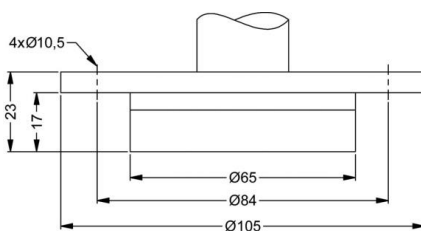
DN40/50  
p<sub>N</sub> ≤ 25 bar

**flange (DIN 2501)**

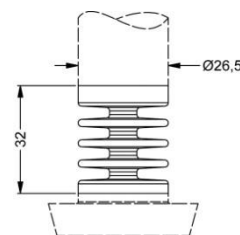


dimensions in mm			
size	DN 25	DN 50	DN 80
D	115	165	200
E	30	89	89
k	85	125	160
b	18	20	20
n	4	4	8
d	14	18	18
p <sub>N</sub> [bar]	≤ 40	≤ 40	≤ 16

**DRD<sup>9</sup> (for p<sub>N</sub> ≤ 25 bar)**



**cooling element up to 300 °C<sup>7</sup>**



<sup>7</sup> max. temperature depends on the used sealing material, type of seal and installation

<sup>9</sup> cup nut resp. mounting flange is included in the delivery (already pre-assembled)

HART® is a registered trademark of HART Communication Foundation; Hastelloy® is a trademark of Haynes International Inc.;

Varivent® is a trademark of GEA Tuchenhagen GmbH; Windows® is a registered trademark of Microsoft Corporation

## Ordering code x|act i

**x|act i**

<b>Pressure</b>			
gauge	5	1	1
absolute <sup>1</sup>	5	1	2
<b>Input</b>	[bar]		
0 ... 0.4	4	0	0
0 ... 1	1	0	0
0 ... 2	2	0	0
0 ... 4	4	0	0
0 ... 10	1	0	2
0 ... 20	2	0	2
0 ... 40	4	0	2
-0.4 ... 0.4	S	4	0
-1 ... 1	S	1	0
-1 ... 2	V	2	0
-1 ... 4	V	4	0
-1 ... 10	V	1	0
customer	9	9	9
<b>Design</b>			consult
side display		K	H
45° display		K	4
<b>Output</b>			
4 ... 20 mA / 2-wire			1
intrinsic safety (ia)			E
4 ... 20 mA / 2-wire			
intrinsic safety (ia)			I
4 ... 20 mA / 2-wire			
with HART <sup>®</sup> -communication			1S
SIL2: 4 ... 20 mA / 2-wire			ES
SIL2: intrinsic safety (ia)			ES
4 ... 20 mA / 2-wire			
SIL2: intrinsic safety (ia)			IS
4 ... 20 mA / 2-wire			
with HART <sup>®</sup> -communication			9
customer			consult
<b>Accuracy</b>	0.1 % FSO		1
<b>Electrical connection</b>			
male plug M12x1 (4-pin), metal		M	1
customer		9	9
<b>Mechanical connection</b>			
G1" cone		K	3
Clamp DN 25 / 1" (DIN 32676) / 3A		C	6
Clamp DN 32 / 1 1/2" (DIN 32676) / 3A		C	6
Clamp DN 50 / 2" (DIN 32676) / 3A		C	6
Clamp 3/4" (DIN 32676) / 3A		C	6
dairy pipe DN 25 (DIN 11851) <sup>2</sup>		M	7
dairy pipe DN 40 (DIN 11851) <sup>2</sup>		M	7
dairy pipe DN 50 (DIN 11851) <sup>2</sup>		M	7
Varivent <sup>®</sup> DN 40/50 / 3A		P	4
flange DN 25 / PN 40 (DIN 2501)		F	2
flange DN 50 / PN 40 (DIN 2501)		F	2
flange DN 80 / PN 16 (DIN 2501)		F	1
DRD Ø 65 mm <sup>2</sup>		D	R
<b>Diaphragm</b>			
stainless steel 1.4435 (316L)			1
Hastelloy <sup>®</sup> C-276 (2.4819)			H
tantalum <sup>3</sup>			T
<b>Seals</b>			consult
without			0
<b>Filling fluids</b>			
silicone oil			1
food compatible oil (FDA) / 3A			2
Halocarbon			C
customer			9
<b>Special version</b>			
standard			0
with cooling element up to 300°C / 3A			2
customer			9

**⚠** if setting range shall be different from nominal range please specify in your order

<sup>1</sup> absolute pressure possible from 1 bar

<sup>2</sup> cup nut resp. mounting flange is included in the delivery (already pre-assembled)

<sup>3</sup> tantalum diaphragm possible with nominal pressure ranges from 1 bar

HART<sup>®</sup> is a registered trade mark of HART Communication Foundation; Hastelloy<sup>®</sup> is a brand name of Haynes International Inc.

Varivent<sup>®</sup> is a brand name of GEA Tuchenhausen GmbH