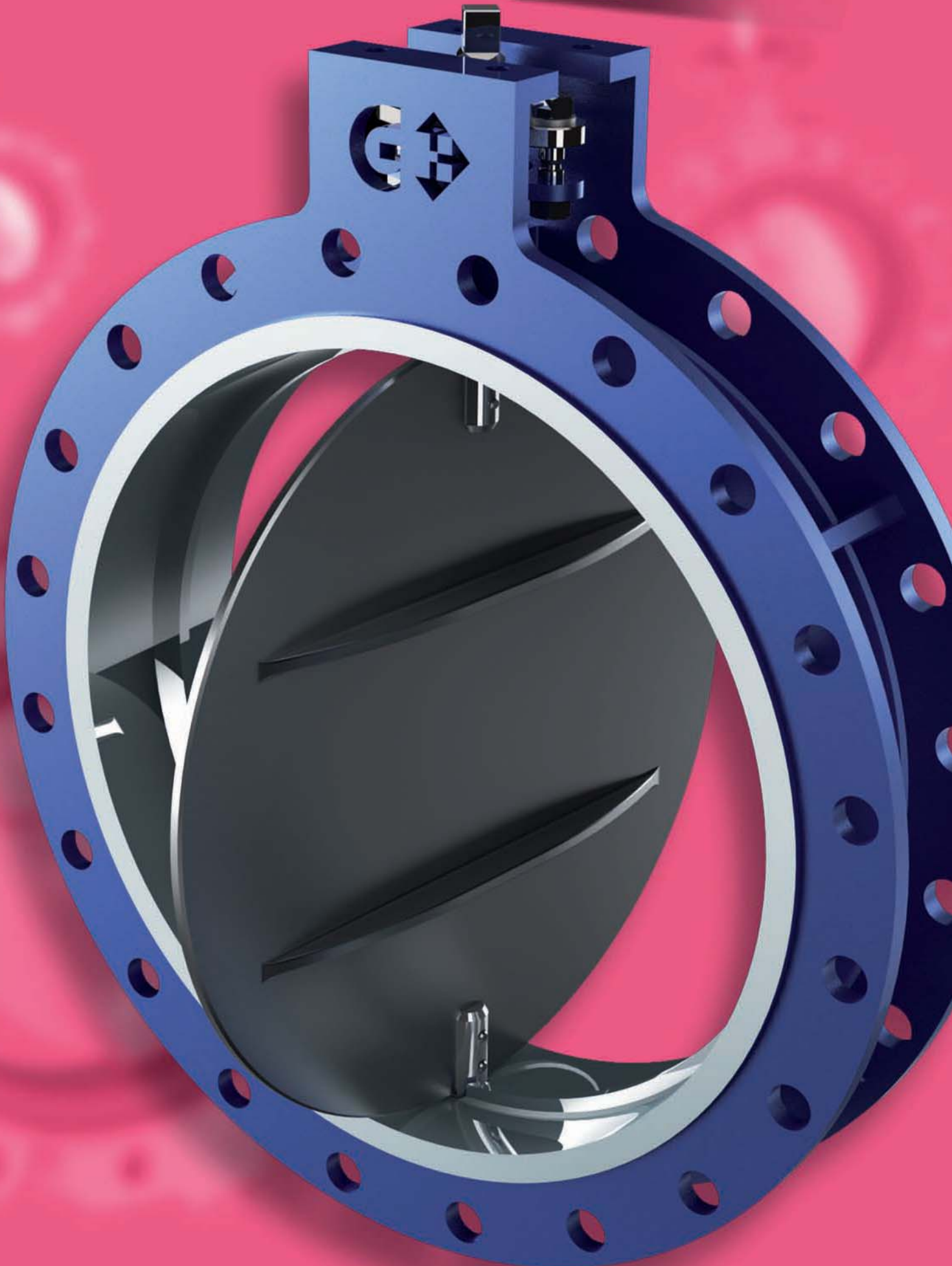




BUTTERFLY VALVES  
FOR HOT AIR/SMOKES  
**FA SERIES**





**HOT AIR AND SMOKES**

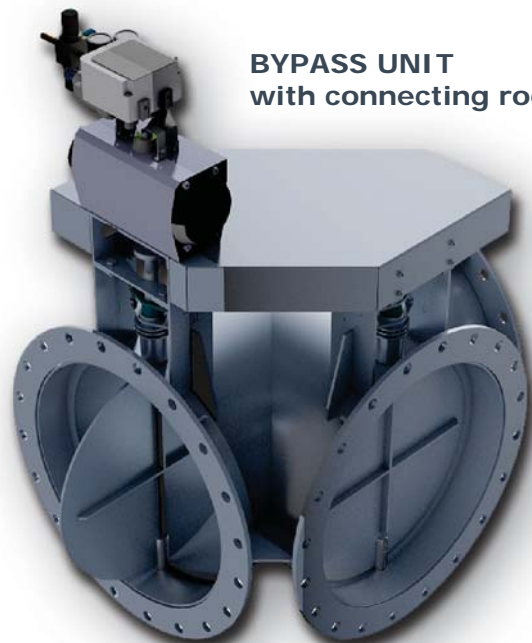
**FA Series**

- technical data
- components
- dimensions

**1**  
**1**  
**2**  
**3**



**MULTI LOUVER DAMPER**



**BYPASS UNIT  
with connecting rod**

**BVFA - Wafer    BFFA - Double Flange**  
DN 150 - 1500 • 2" - 60"

### Butterfly valves for hot air and smokes

On request max DN 2000 - 80"

Max working pressure:

BVFA/BFFA DN 150÷1500 - **up to 3 Bar**

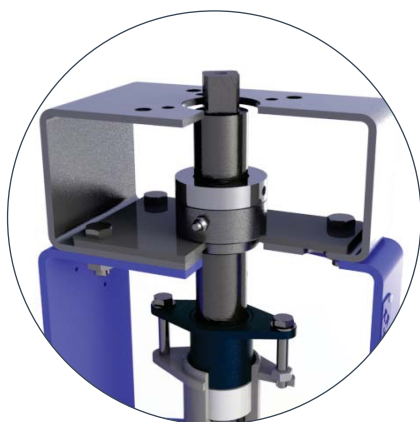
Flanges: **PN 6-10-16•A150**

On request: DN50-125, PN 25

Leakage class:

EN 1349

Leakage class: I, II, III acc.to FCI 70-2 (ex ANSI B 16.104)



Epoxy  
EPOXY  
COATED

BFFA

Types:

Type H: max 200°C

Type HT: max 600°C

Type HTT: max 1000°C



#### BODY

material	standard coating
AISI 310	Epoxy RAL 5009
AISI 321	
AISI 316	
AISI 304	
S355JOWP (COR-TEN A)	
carbon steel (S275JR)	

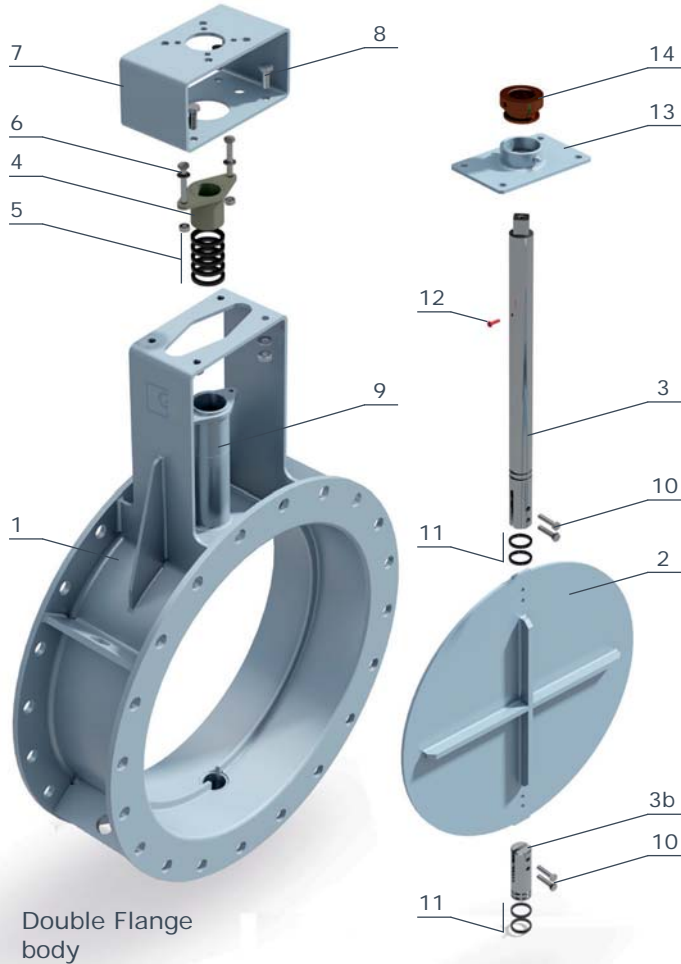
#### DISC

material	standard coating
AISI 310	Epoxy RAL 5009
AISI 321	
AISI 316	
AISI 304	
S355JOWP (COR-TEN A)	
carbon steel (S275JR)	

**BVFA** - Wafer    **BFFA** - Double Flange

DN 150 - 1500 • 6" - 60"

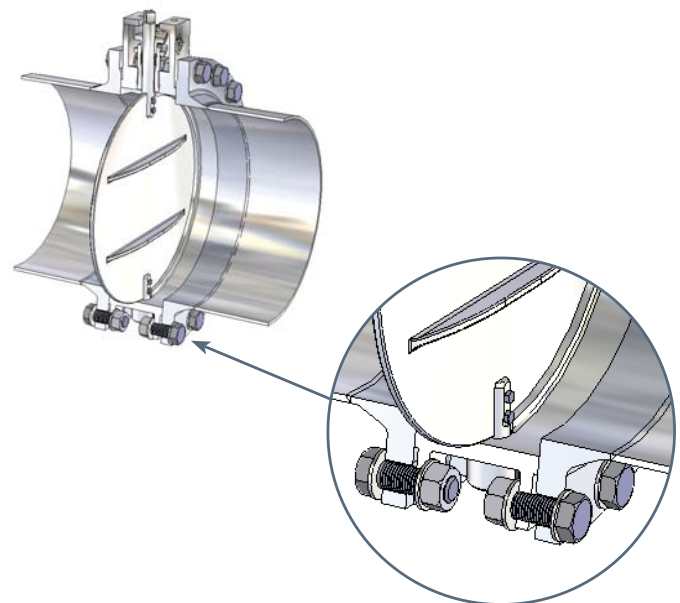
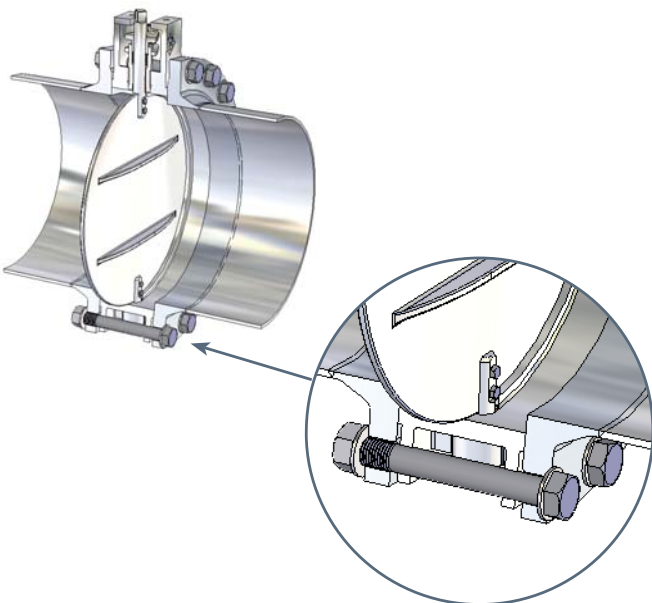
PN 6 - 10 - 16 • ANSI 150



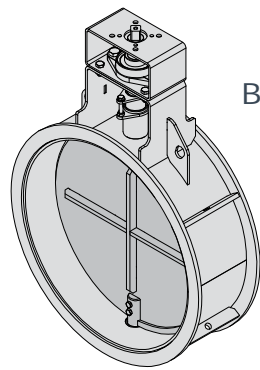
item	q.ty	part	material
1	1	body	<ul style="list-style-type: none"> <li>• AISI 310</li> <li>• AISI 321</li> <li>• AISI 316</li> <li>• AISI 304</li> <li>• S355JOWP (COR-TEN A)</li> <li>• carbon steel S275JR</li> </ul>
2	1	disc	<ul style="list-style-type: none"> <li>• AISI 310</li> <li>• AISI 321</li> <li>• AISI 316</li> <li>• AISI 304</li> <li>• S355JOWP (COR-TEN A)</li> <li>• carbon steel S275JR</li> </ul>
3	1	shaft	• stainless steel AISI 316
3b	1	shaft	• stainless steel AISI 316
4	1	gland	• stainless steel AISI 304
5	1	shaft packing	<ul style="list-style-type: none"> <li>• graphite</li> <li>• glass fiber</li> </ul>
6	6	bolt and washer	• stainless steel grade A2
7	1	bracket	• carbon steel
8	4	bolt	• stainless steel grade A2
9	1	support	• stainless steel AISI 316
10	4	bolt	• stainless steel grade A2
11	4	gasket	<ul style="list-style-type: none"> <li>• graphite</li> <li>• glass fiber</li> </ul>
12	1	open/close mechanical indicator	
13	1	bushing on support	• stainless steel AISI 304
14	1	bushing	• bronze

Right installation:

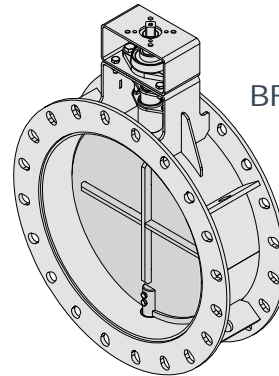
Wrong installation:



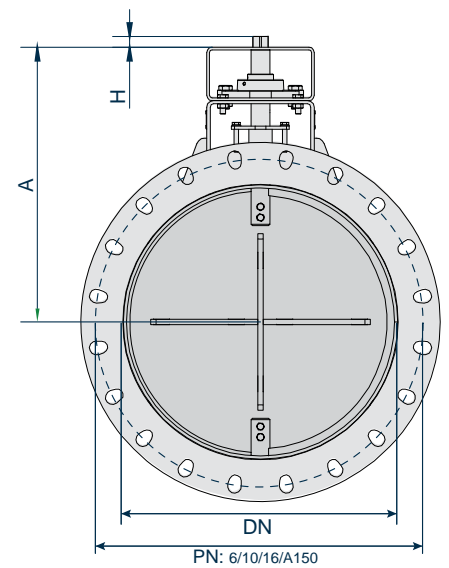
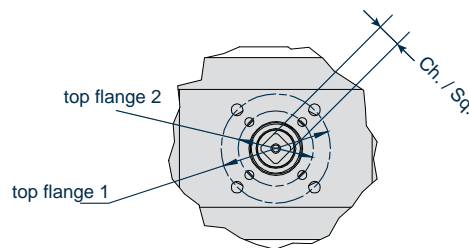
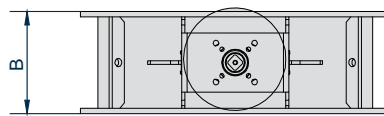
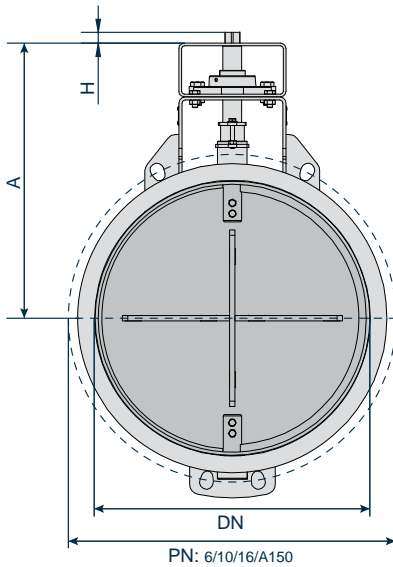
### BVFA / BFFA dimensions



BVFA



BFFA



DN	"	A			H	top flange ISO 2511		Ch. / Sq.	B	requested torque [nm]
		mod. H	mod. HT	mod. HTT		1	2			
150	6	310	470	— depending on application —	17	F07	F05	14x14	140	22
200	8	335	495		17	F07	F05	14x14	140	26
250	10	363	522		17	F07	F05	14x14	140	24
300	12	388	547		17	F07	F05	14x14	140	42
350	14	405	564		17	F07	F05	14x14	140	49
400	16	429	588		17	F07	F05	14x14	140	58
450	18	488	648		20	F10	F07	22x22	190	62
500	20	513	673		20	F10	F07	22x22	190	72
600	24	561	721		20	F10	F07	22x22	190	85
700	28	611	771		20	F10	F07	22x22	190	102
800	32	661	821		20	F10	F07	22x22	190	118
900	36	803	963		25	F14	F12	27x27	240	128
1000	40	853	1013		25	F14	F12	27x27	240	138
1100	44	903	1063		25	F14	F12	27x27	240	156
1200	48	953	1113		25	F14	F12	27x27	240	186
1300	52	1003	1163	25	F14	F12	27x27	240	204	
1400	56	1053	1215	25	F14	F12	27x27	240	218	
1500	60	1103	1265	25	F14	F12	27x27	240	252	